

PHOTOBOOK

2019

# Dream Yacht Y

[See Details on Our WebSite](#)



INOX  STYLE®

INOX  STYLE®

INOX  STYLE

Dream Yacht Y



**archiproducts**  
DESIGN AWARDS  
—  
WINNER 2017

INOX / STYLE®

Dream Yacht Y



GERMAN  
DESIGN  
AWARD  
WINNER  
2019



archiproducts  
DESIGN AWARDS

WINNER 2017



**DESIGNER: Giancarlo Vegni**

Giancarlo Vegni, classe 1949, si forma presso l'istituto d'arte di Cascina. Dal 1968 al 1975 collabora con Ferretti Cucine. Vegni Design è l'inizio del suo percorso professionale, una carriera ricca di collaborazioni importanti, riconoscimenti, successi.

Con il programma Misura di Effeti cucine firma il primo blocco funzione tondo nella storia della cucina (1988). Duetto di Officine Star partecipa alle selezioni per il Compasso d'oro (1991).

Oggi Vegni Design è uno staff di professionisti, le opere spaziano ogni campo del design, caratterizzate da un tratto pulito, la predilezione per il tondo e le geometrie modulari, uno stile squisitamente made in Italy apprezzato in tutto il mondo.

Giancarlo Vegni, class 1949, studied at Cascina's art school. From 1968 to 1975 he worked for Ferretti cucine. Vegni Design is the beginning of his professional career, a career full of important collaborations, awards, achievements. With Misura collection by Effeti cucine, Giancarlo signs the first round function block in the kitchen history (1988); the oven called "Duetto" made by Officine Star participates in the selections for the Compasso d'oro (1991). Today Vegni Design is a professional team, his works range every field of design, characterized by a neat line and geometric modular forms, the predilection for round shapes, and an exquisite style made in Italy appreciated worldwide.



**GERMAN  
DESIGN  
AWARD  
WINNER  
2019**

DREAM YACHT by Inoxstyle won the 2019 edition of the German Design Awards for the Excellent Product Design Contest in Gardening and Outdoor Living category

According to statement of the international jury:

“The DREAM YACHT appears glamorous with a graceful style seemingly at home in any water-based environment. The combination of distinct geometric form and strong robust materials appears to result in a delightfully light feeling, but durable outdoor shower”.

In the Dream Yacht shower the fluid and essential design of Vegni Design (Giancarlo Vegni) is enhanced by the quality of the workmanship: a single body in nautical quality stainless steel, manually finished in mirror, with integrated shower head. This synthesis of design, craftsmanship and quality of materials, comes from the Inoxstyle experience in luxury boating.

The German Design Award is one of the most widely recognized international design awards, honoring first-rate entries in the field of product and communications design.

The German Design Council, the expert for brand and design in Germany, bestows the German Design Award. Established on the initiative of the German Bundestag (the lower house of German parliament) as a foundation in 1953, it supports the industry in all matters consistently aimed at generating an added brand value through design. As a result, the German Design Council is one of the world's leading competence centers for communication and brand management in the field of design. The exclusive network of foundation members includes in addition to designers and design associations, in particular the owners and brand directors of numerous renowned companies.



### DREAM YACHT by Inoxstyle is Winner of the 2017 edition of the Archiproducts Design Awards, in the Outdoor category

Snapshot of the excellences of international design, the ADA spotlight the most virtuous cooperation between brands and designers, and the innovations of their products as well, celebrating the successful results that today are writing new chapters in the history of architecture and design.

The international jury, whose members are 40 among the most influent international architecture firms, in synergy with the Archiproducts Design Awards team, selected the product out of over 600 candidate proposals coming from all over the world. It was awarded because of:

- Concept
- Product graphics and semantics
- Manufacturing techniques and quality

#### *The Jury:*

*Mario Bellini, Ben Van Berkel, Snøhetta, Benedetta Tagliabue, Marcio Kogan, Pitsou Kedem, Fran Silvestre, Héctor Esrawe, i29 Interior Architects, Piurarch, Saota, Vudafieri Saverino Partners, Marcente-Testa | Uda Architetti, Masquespacio, Carlo Ratti, Studio Pepe, Lazzarini Pickering Architetti, Fernando Guerra - Últimas reportagens, LAN Architecture, Susanna Cots Interior Design, Fernando Alda - Fotografía de Arquitectura, Montse Zamorano - MZ ARCHITECTURE PHOTOGRAPHY, Goneau Design, Marco Costanzi, Studio O+A, noa\* network of architecture, Salva López, Cruz y Ortiz Arquitectos, Apollo architects.*



Dream Yacht Y S

(Faucet: Cold or Pre-mixed water)



Dream Yacht Y M

(Faucet Mixer: Hot/Cold water)



Dream Yacht Y M + L

(Faucet Mixer + Foot shower with faucet)



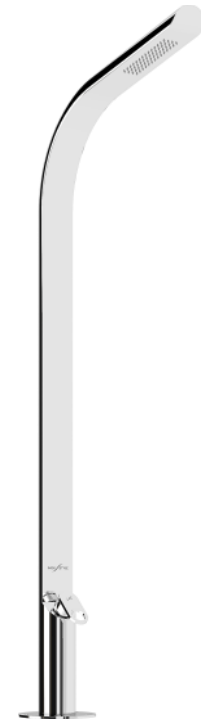
Dream Yacht Y M + DT

(Faucet Mixer + Hand shower with Diverter)



Dream Yacht Y M + MT

(Faucet Mixer + Hand shower with Faucet Mixer)



Dream Yacht YC M

(For mounting on cap rails, steps, walls, with Faucet Mixer)

IT

Doccia a corpo unico arcuato e soffione rigido integrato.

#### CARATTERISTICHE ESTETICHE e FUNZIONALI

- Doccia completamente in acciaio inox AISI 316L, sia nel corpo che nelle viti di fissaggio.
- Lucidatura nautica a specchio (eseguita a mano): meno attaccabile dagli agenti atmosferici.
- Oggetto realizzato in corpo unico: non ci sono blocchi assemblati, non ci sono giunzioni.
- Viti di giunzione ridotte al minimo: riduzione dei componenti ossidabili e migliore impatto estetico.
- Soffione con gomma silicone anti-calcare e anti-obstruzione.

EN

Outdoor shower. Single arched body, with integrated, fixed showerhead.

#### AESTHETIC and FUNCTIONAL CHARACTERISTICS

- Shower completely made of AISI 316L stainless steel, in both body and screws.
- Mirror-like polishing ("Nautical" quality, manually done): less vulnerable to the elements.
- Product made in a single piece: no block assembly or junctions.
- Very few visible screws: reduction of components that are prone to oxidization and wonderful aesthetics.
- Showerhead with silicone rubber: anti-limestone and anti-obstruction.

FR

Douche à corps unique arqué et pomme rigide intégrée.

#### CARACTERISTIQUES ESTHETIQUES et FONCTIONNELLES

- Douche totalement en acier Inox AISI 316L, tant pour le corps que pour les vis.
- Polissage brillant de qualité «Marine» (exécuté à la main): il offre moins de prise aux agents atmosphériques.
- Objet réalisé d'un seul tenant: il n'y a aucun assemblage d'éléments, aucun joint.
- Vis d'assemblage réduites au minimum: réduction des composants oxydables et meilleur impact esthétique.
- Pomme de douche avec caoutchouc-silicone anticalcaire et anti obstruction

DE

Dusche in einem einzigen gebogenem, Durchschnitts mit integriertem unbeweglichem Duschkopf.

#### ÄSTHETISCHE und FUNKTIONELLE MERKMALE

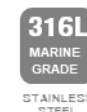
- Dusche vollständig aus Edelstahl AISI 316L, sowohl im Körper als auch in den Befestigungsschrauben.
- Nautische Hochglanzpolitur (von Hand poliert): weniger angreifbar durch Außeneinwirkungen.
- Objekt in einem einzigen Körper erstellt. Es gibt keine zusammengesetzten Blöcke, es gibt keine Verbindungsstellen.
- Verbindungsschrauben auf ein Minimum reduziert: Reduktion der oxidierbaren Komponenten und verbesserte optische Wirkung.
- Duschkopf mit Silikongummi gegen Kalk und gegen Obstruktion.

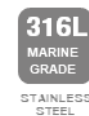
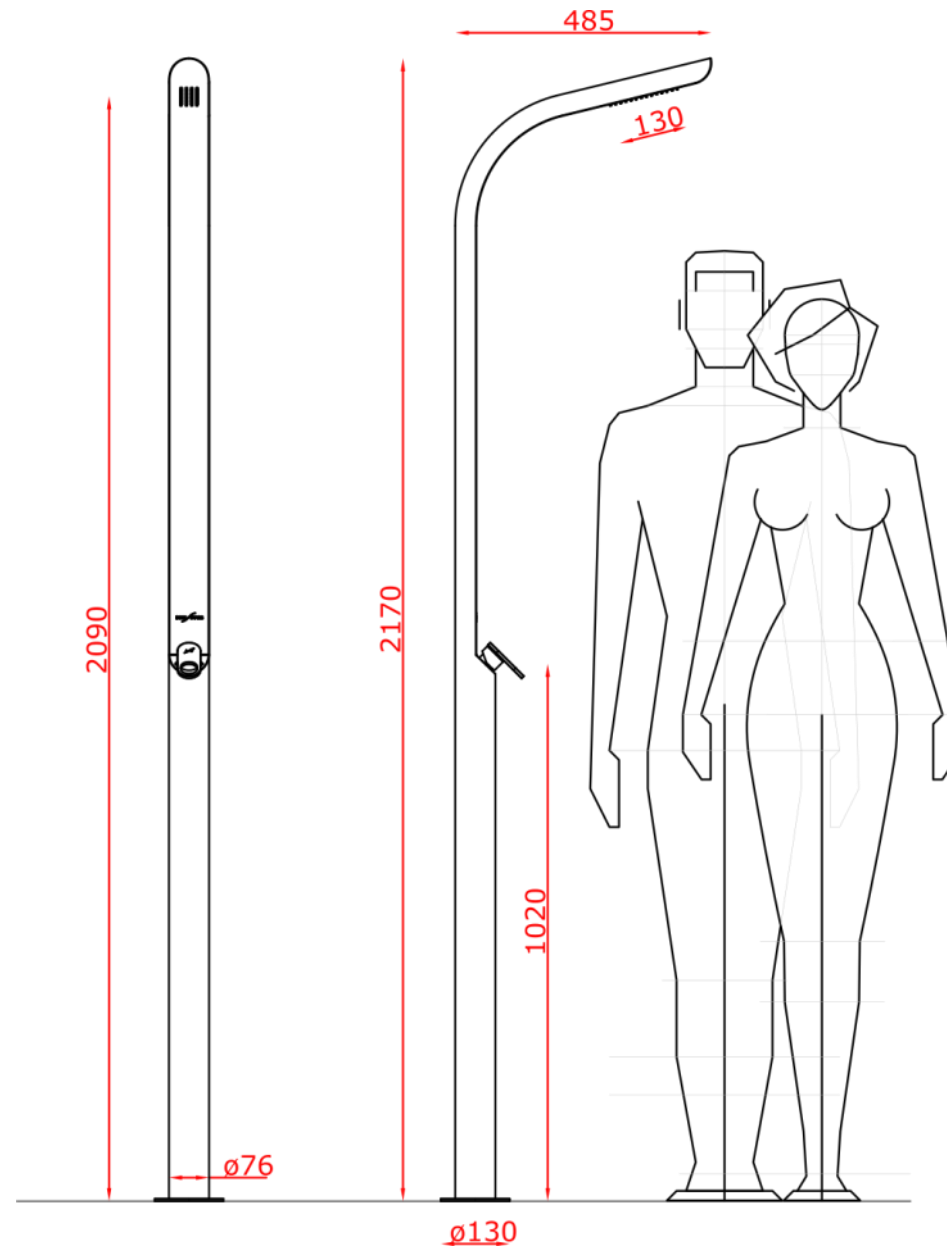
ES

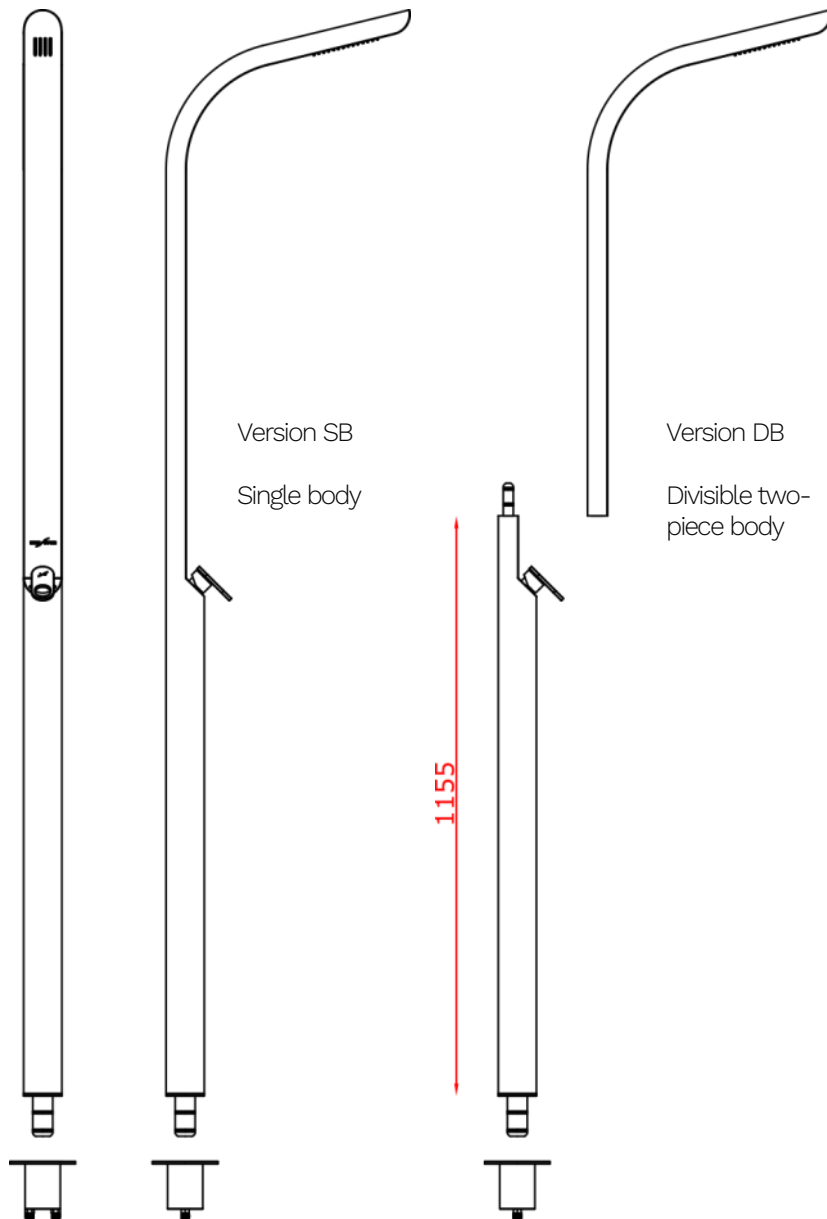
Ducha de armazón único arqueado y cabezal rígido integrado.

#### CARACTERÍSTICAS ESTÉTICAS y FUNCIONALES

- Ducha completamente realizada en acero inoxidable AISI 316L, tanto en el armazón como en los tornillos de montaje.
- Abrillantado náutico a espejo (realizado a mano); más resistente a los agentes atmosféricos.
- Objetos fabricado en un solo cuerpo: no hay bloques a ensamblar, ni conexiones.
- Tornillos de juntura reducidos al mínimo: reducción de componentes oxidables y mejor impacto estético.
- Cabezal con caucho de silicona anti-calcárea y anti-obstrucción







Item Code: 11.036

Dream Yacht Y

Yacht shower in stainless steel AISI 316L with deck support and cover.

Faucet versions:

- Mixer Faucet (hot/cold)
- Faucet (cold or premixed)
- Hand shower
- Foot shower

Shower head:

- Integrated shower head

Measurements:

- Body dia. 76 mm, height 217 cm
- Weight 18 Kg (SB – Single Body) - 19 Kg (DB – Divisible two-piece Body)

Materials:

- AISI 316L stainless steel

Finish:

- Mirror-like manual polishing "nautical" level quality
- Velvet steel finish

Water connection versions:

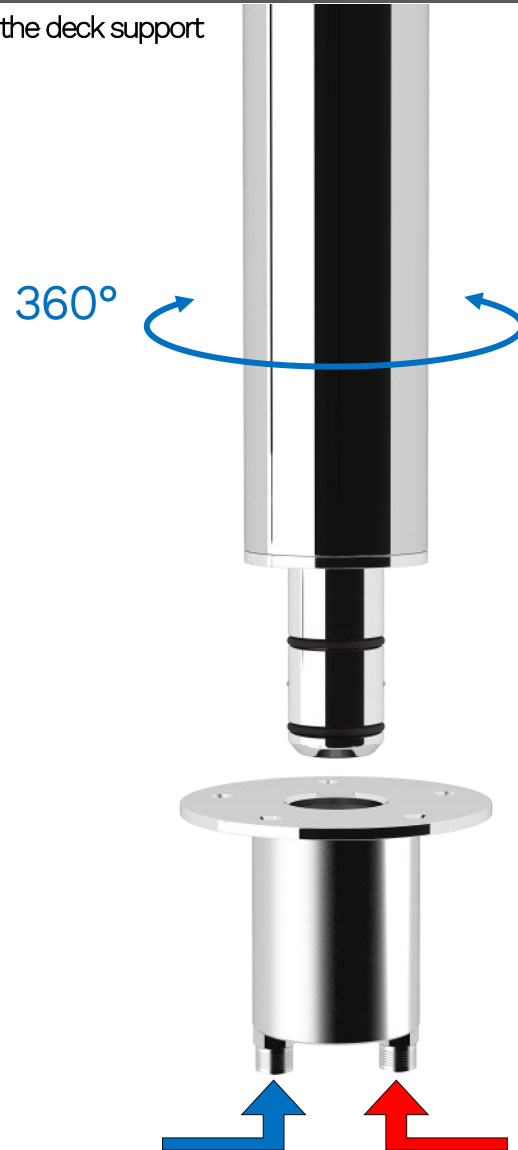
- BC: quick coupling with water connections hidden in the deck support
- LC: lateral water inlets

Design can be customized

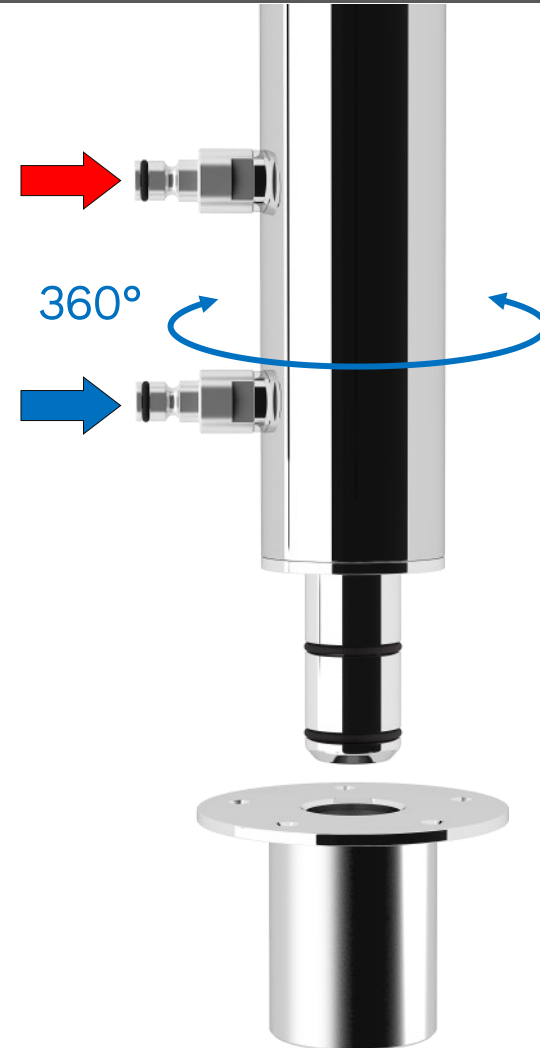
Water Connections

The shower deck support is available with below-the-deck hidden connections (BC) or lateral quick connections (LC)

BC - Water inlets hidden in the deck support



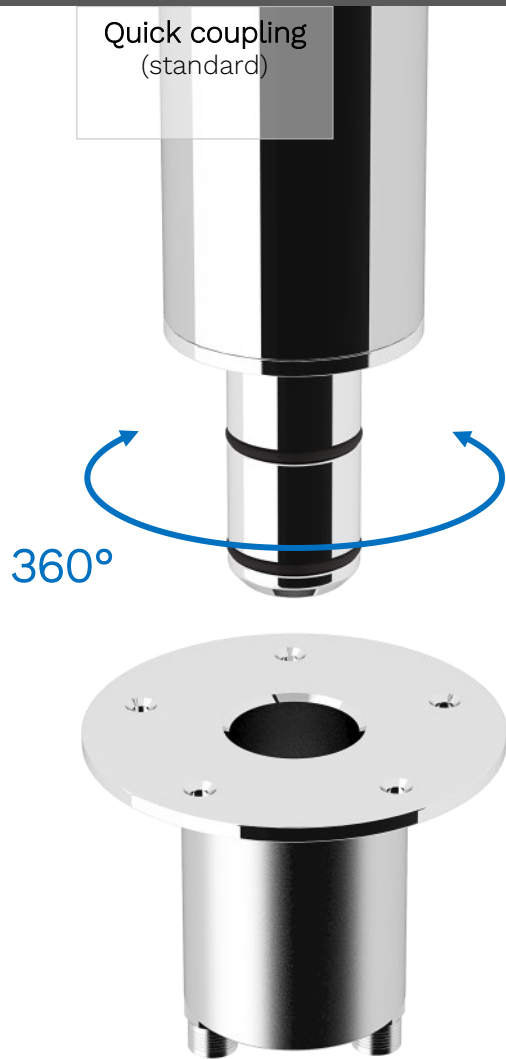
LC - Lateral water inlets



Base Coupling

The shower pole has either quick coupling or coupling with screw knobs

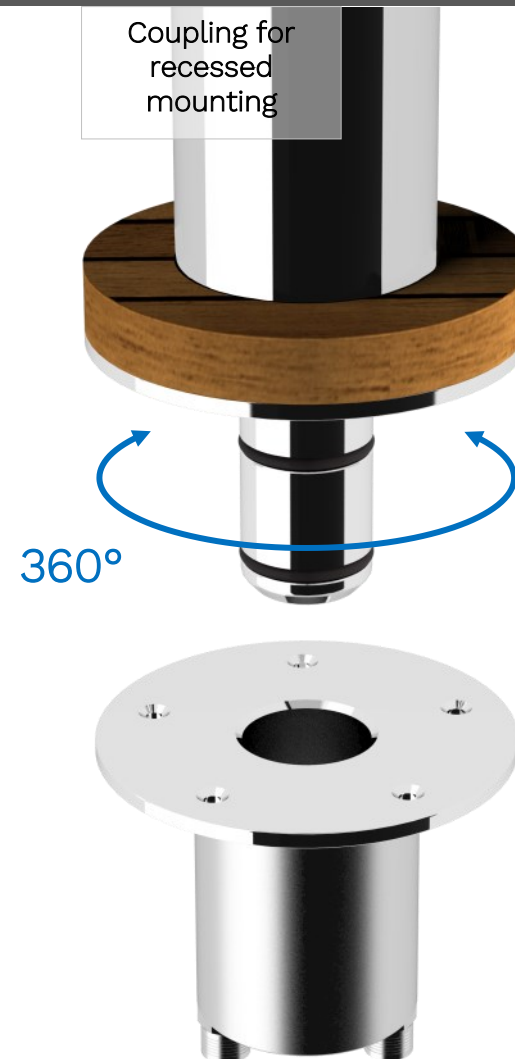
Quick coupling  
(standard)



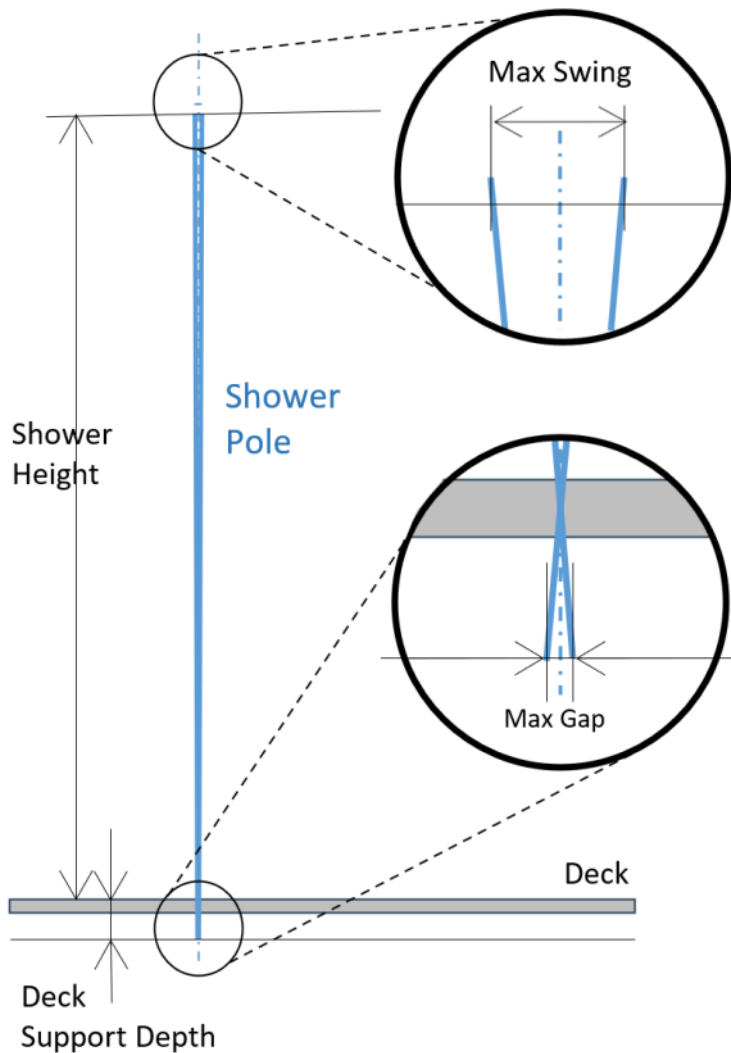
Coupling with  
screw knobs



Coupling for  
recessed  
mounting



## Maximum swing of the shower due to sea conditions



Shower Model	Shower Height	Weight	Deck Support Depth	Max Gap	Max Swing	
					Quick Coupling	Coupling with Screw Knobs
Aria Cylinder	2400 mm	10 Kg	80 mm	0,12 mm	< 20 mm	< 15 mm
C1-Carbon1	2060 mm	4 Kg			< 30 mm	< 25 mm
Carbon & Steel	2240 mm	11 Kg			< 25 mm	< 20 mm
Doride	2210 mm	12 Kg			< 25 mm	< 20 mm
Dream Carbon	2170 mm	5 Kg			< 15 mm	< 10 mm
Dream Yacht	2170 mm	15 Kg			< 25 mm	< 20 mm
Eidothea	2170 mm	11 Kg			< 15 mm	< 10 mm
Ellipse-DU	2190 mm	11 Kg			< 25 mm	< 20 mm
Ellipse-MO	2300 mm	11 Kg			< 25 mm	< 20 mm
Ellipse-YA	2130 mm	11 Kg			< 20 mm	< 15 mm
Ellipse-TE	1000 mm	5 Kg				
Full Carbon	2210 mm	6 Kg			< 25 mm	< 20 mm
Interlude	2280 mm	12 Kg			< 25 mm	< 20 mm
Motivo	2270 mm	12 Kg			< 25 mm	< 20 mm
Riva	2230 mm	12 Kg			< 25 mm	< 20 mm
Sole 48	2350 mm	11 Kg			< 30 mm	< 25 mm
Sole 60	2400 mm	14 Kg			< 25 mm	< 20 mm
Tecno	2240 mm	13 Kg			< 25 mm	< 20 mm
Tecno Cube	2240 mm	17 Kg			< 25 mm	< 20 mm
Yacht	2140 mm	15 Kg			< 20 mm	< 15 mm
Telefono	1000 mm	5 Kg				
Telefono Carbon	1000 mm	3 Kg				



Finish

Velvet Steel finish

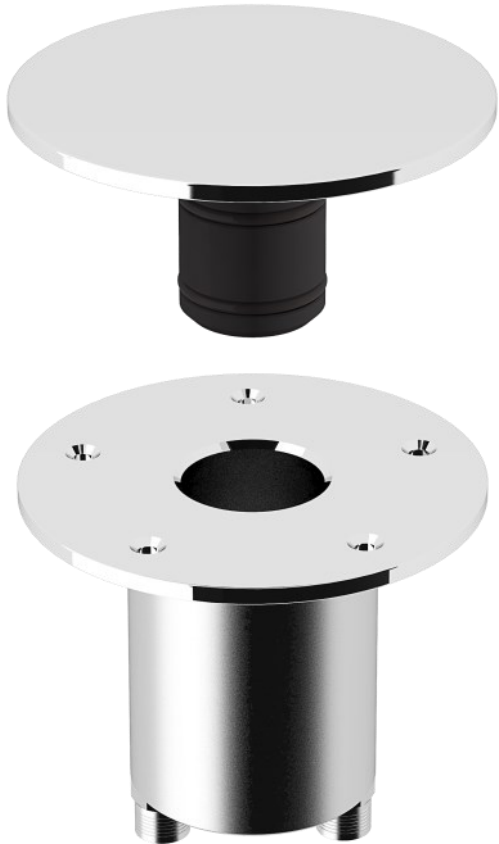


Mirror-like finish

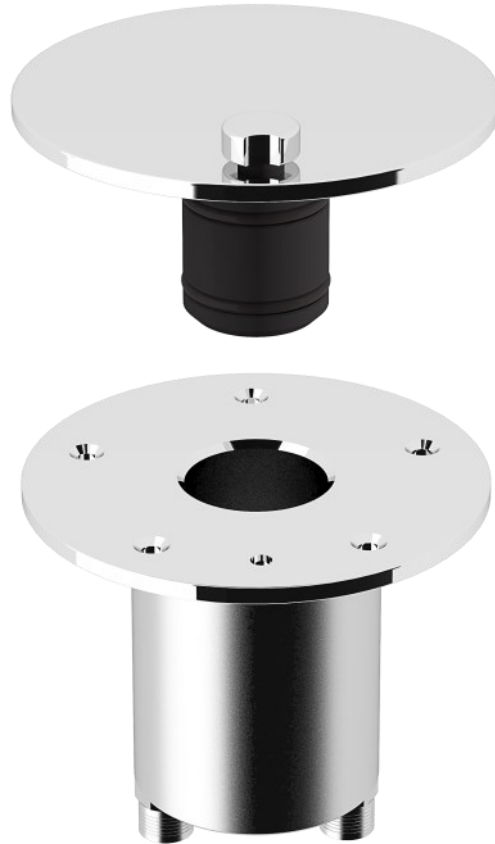


Base Cover

Tight Cover  
(standard)



Cover with screw knob



Cover for recessed mounting  
(wood not included)



Optional:  
Bag



Optional:  
Stopper  
(to use DB DT version as column)



Optional:  
Water outlet plug for hose





## INOXSTYLE SRL

[www.inoxstyle.com](http://www.inoxstyle.com)

### ITALIA

Sede Legale: Via Don Romeo Domenichini, 89  
Workshop & Showroom: Via dei Carpentieri, 31  
55041 Camaiore (LU)

+39 (0)584 1716108  
[info@inoxstyle.com](mailto:info@inoxstyle.com)

### FRANCE

37, Blvd Dubouchage Le Consul  
06000 Nice  
+33 (0)493 133356  
[info.fr@inoxstyle.com](mailto:info.fr@inoxstyle.com)

### DEUTSCHLAND

Landsberger Straße 302  
80687 München  
+49 (0) 89 90 40 5171  
[info.de@inoxstyle.com](mailto:info.de@inoxstyle.com)

### SPAIN

Gran Via de les Corts Catalanes, 583  
08002 Barcelona  
+34 93 609 02 75  
[info.es@inoxstyle.com](mailto:info.es@inoxstyle.com)

### UNITED ARAB EMIRATES

DWTC District - Central 1 Building,  
Level 1 - Dubai World Trade Centre  
PO Box 114142 - Dubai  
+971 4 523 2559  
[info.uae@inoxstyle.com](mailto:info.uae@inoxstyle.com)

